



Electric Pallet Stacker

Electric pallet stacker are widely used in factory workshops, warehouses, circulation centers and distribution centers, ports, stations, airports, etc., and can enter cabins, carriages, and containers for loading, unloading and handling of palletized goods. It is an indispensable equipment for pallet transportation and container transportation.

1. Electric Pallet Stacker

Electric pallet stacker are widely used in factory workshops, warehouses, circulation centers and distribution centers, ports, stations, airports, etc., and can enter cabins, carriages, and containers for loading, unloading and handling of palletized goods. It is an indispensable equipment for pallet transportation and container transportation.

Stacker trucks refer to various wheeled trucks for loading and unloading, stacking, stacking and short-distance transportation of palletized goods.

2. Electric Pallet Stacker Specification

Main Parameters of CDD Stacker

Basic parameters	1 Product model		CDD
	2 Driving mode		Electric
	3 Operation method		Stand-on model
	4 Rated load	Q kg	1000、1500、2000
	5 Load center	C mm	500
	6 Axle base	Y mm	1480
	7 Dead weight (excluding battery)	kg	680
Wheel	1 Tire		PU wheel

	2	Dimensions of driving wheel	mm	∅ 250×80
	3	Size of front wheel	mm	∅ 80×70
	4	Dimensions of balance wheel	mm	∅ 125×50
	5	Quantity of wheels (front/rear) (x= driving wheel)		1x+2/4
	6	Front wheel track	mm	510
	7	Rear wheel track	mm	620
	1	Overall height (when the fork is the lowest)	h1 mm	2080
	2	Overall height (when the fork is the highest)	h2 mm	3380
	3	Lifting height	h3 mm	3000
	4	Free lifting height	h4 mm	0
	5	Ground height of fork (when the fork is the lowest)	h5 mm	85
	6	Ground height of the operating handle (maximum / minimum)	h6 mm	1450/1020
Basic dimension	7	Total length	L1 mm	2030
	8	Distance from the front end of the fork to the front part	L2 mm	1000
	9	Total width	b1 mm	860
	10	Dimensions of fork (metal plate)	s/e/lmm	160*50*1000
	11	Outer width of fork	b3 mm	680/550
	12	Minimum ground clearance	m mm	35
	13	Width of the right-angle stacking channel, tray 1,000x1,200 (1,200: along the fork edge)	Ast mm	2500
	14	Turning radius	R mm	1800
Property	1	Driving speed full load / no load	km/h	4.5/5.5
	2	Lifting speed full load / no load	mm/s	50/100
	3	Load-lowering speed full load / no load	mm/s	140/135
	4	The maximum gradeability full load / no load	%	5.0/8.0
	5	Brake mode		Electromagnetic brake
Motor	1	Driving motor power	kw	1.5
	2	Lifting motor power	kw	2.2
	3	Battery voltage/capacity	V/Ah	24/120/210
	4	Power cell weight	kg	70/195

3. Electric Pallet Stacker Feature And Application

Electric Pallet Stacker refer to various wheeled trucks for loading and unloading, stacking, stacking and short-distance transportation of palletized goods.



www.hugoforklift.com

4.Electric Pallet Stacker Details

Fork made of manganese steel, high toughness and strong endurance; the bottom of the fork has stiffeners for more durability

There are adjusting screws inside the fork; the fork rocker is a galvanized solid rod, which is strong and not easy to rust, and is more durable





www.hugoforklift.com

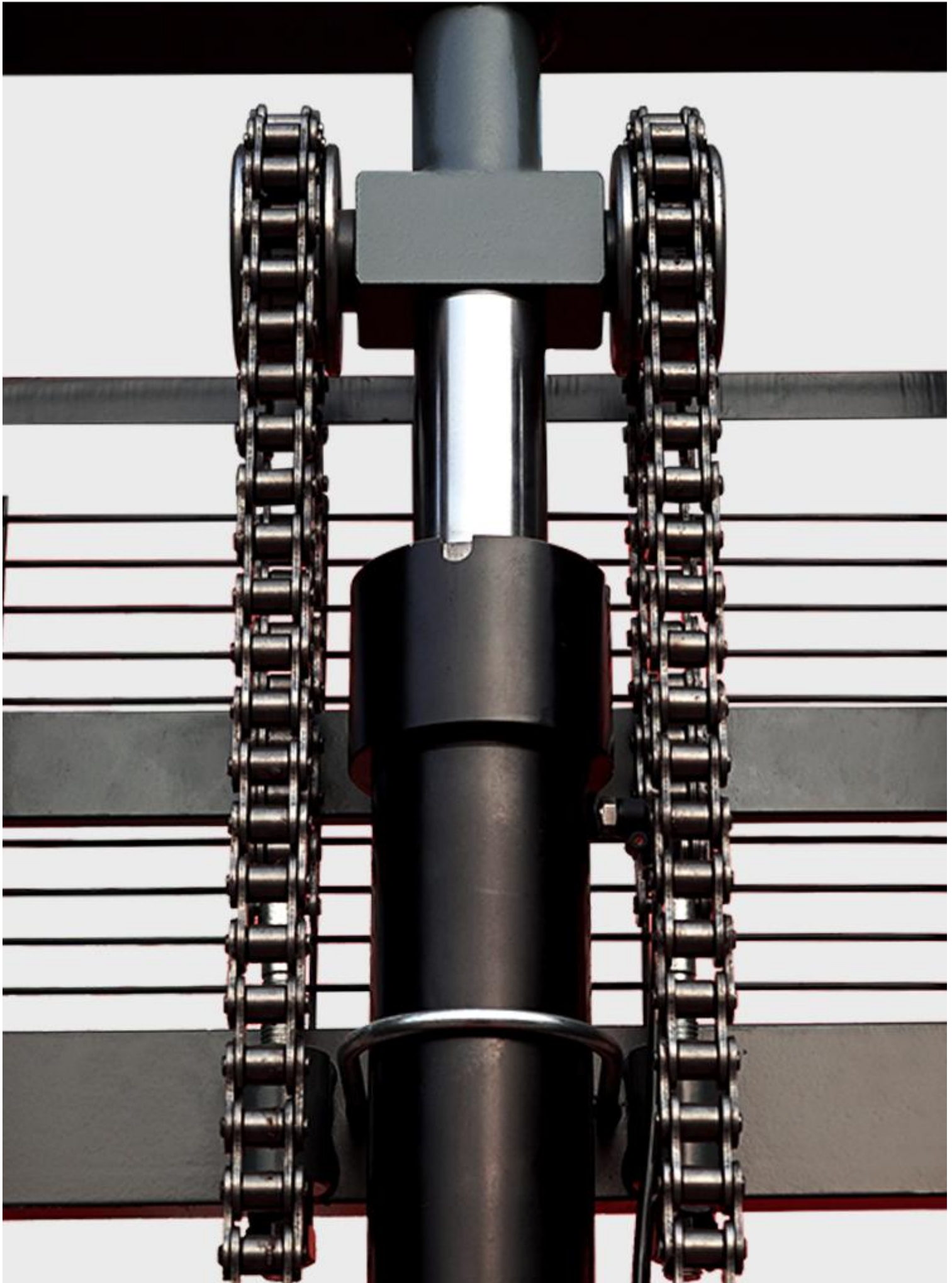
The wheel frame is integrally stamped by the mold, which is more stable in use.

The wheel material is polyurethane Pu wheel, which has good mute effect

The door frame is made of manganese steel and genuine C-shaped steel. The door frame has reinforcing ribs, which is not easy to deform and break.

Chain National standard chain, sturdy and strong for test load

Oil cylinder Sealed oil pipe, no oil leakage, no air leakage and easy maintenance





www.hugoforklift.com

Motor and charger Highly equipped with high-quality brand batteries, special batteries for electric forklifts. It can work continuously for 5-7 hours. The working time of the battery varies slightly depending on the specific carrying capacity.

The outer cover adopts an integral forming process, with a reinforcement layer on the outside, which is not easy to deform and change color.



The handle of the handle is different from the thin handles on the market. The thin handle is easy to break. Our handle is stamped and formed by a special mold, which is strong and durable. The handle has a switch button, a horn button, a fork up and down adjustment button, and an anti-collision switch. Convenient and safer.



5. Product Qualification

Shanghai Yiyong Crane Machinery Company is the hoist manufacturer Institute certified. This means we are one of the industry's leading suppliers of hoist equipment. We are reliable and deliver exceptional value.



www.hugoforklift.com

Shanghai Yiyong Crane machinery Company supply 380V 440V 415V electric hoist 2ton.it is the most popular in Asia ,America and Canada ,It is beautiful ,strong and durable.we promise the electric hoist 2ton warranty is 2 years.and the hand cable is warterproofed,and we really welcome the treaders around the world join in us .

6. Deliver,Shipping And Serving

Usually the production is completed in 3 days, and it can be made to order in an urgent manner, and the production is fully controlled, and the goods will be delivered in 3 days nationwide.

7.FAQ

1. What is the common model?

Common model 1ton 2ton .lifting height from 1.6m to 3m. We can also do the customized model for you.

2. What's the information should I provide when inquiry?

Thanks for your question. The more information you provide, the accurate solution we can prepare for you! The information such as the lift capacity, span, lift height, or other specials you give us will be more appreciated.

3. What is your MOQ ?

1 pc it is available.

4. What's the information should I provide when inquiry?

Lifting capacity, lifting height and quantity is needed.



www.hugoforklift.com

Tel:+86-13331211844

Email:sales6@yiyingroup.com